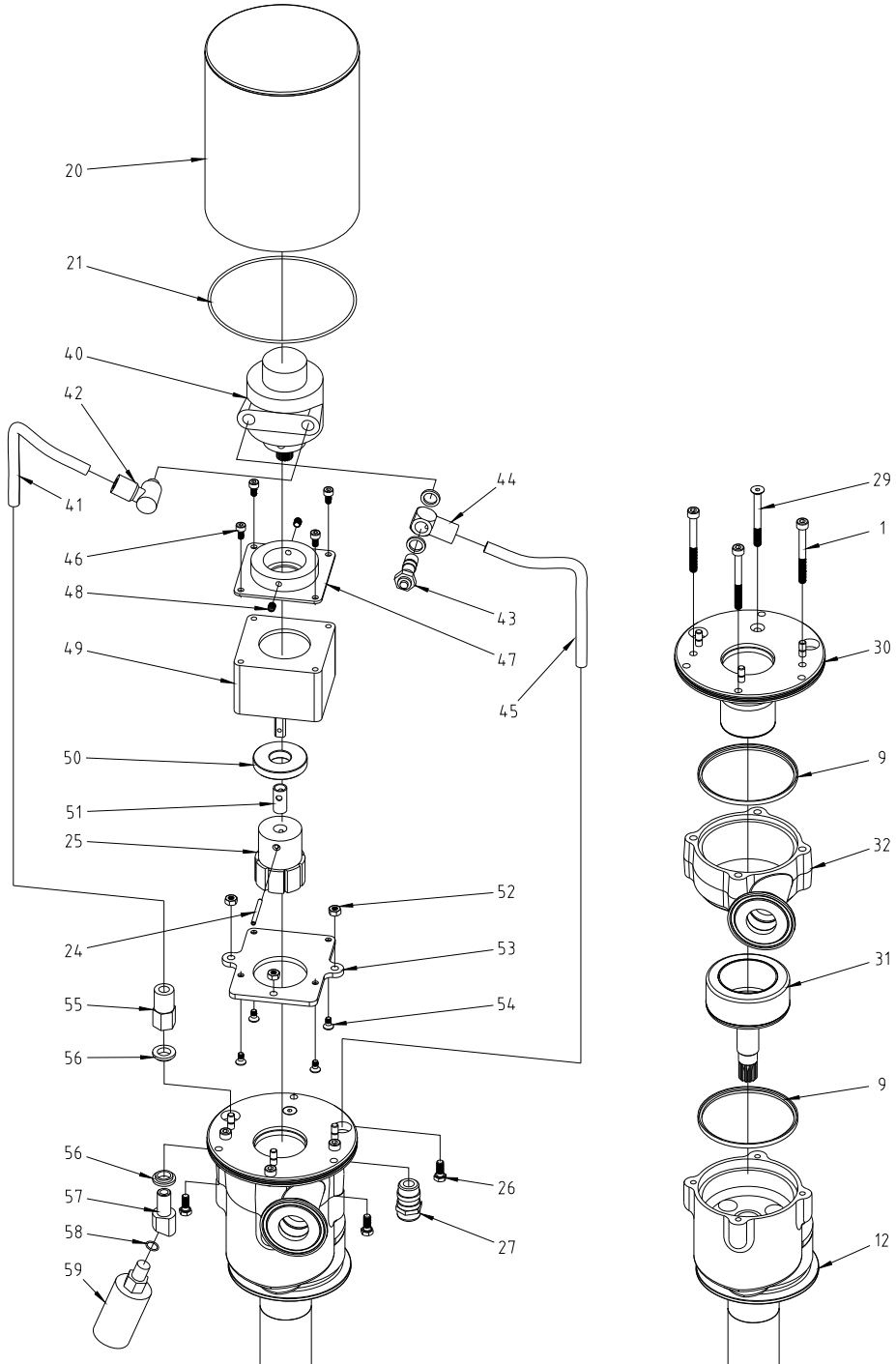




Service and Spare Part Manual

Toftejorg SaniJet 20, Air Driven

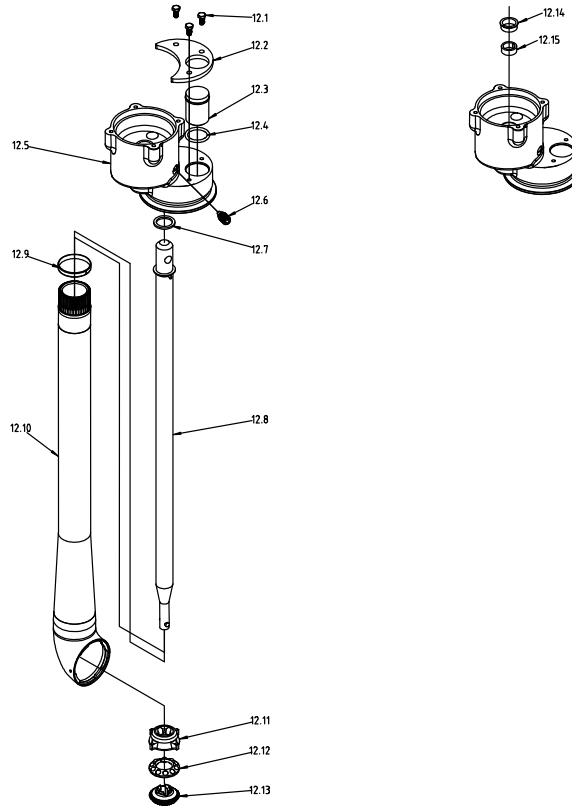
Exploded View Drawing, complete
Toftejorg SaniJet 20A, Air Driven



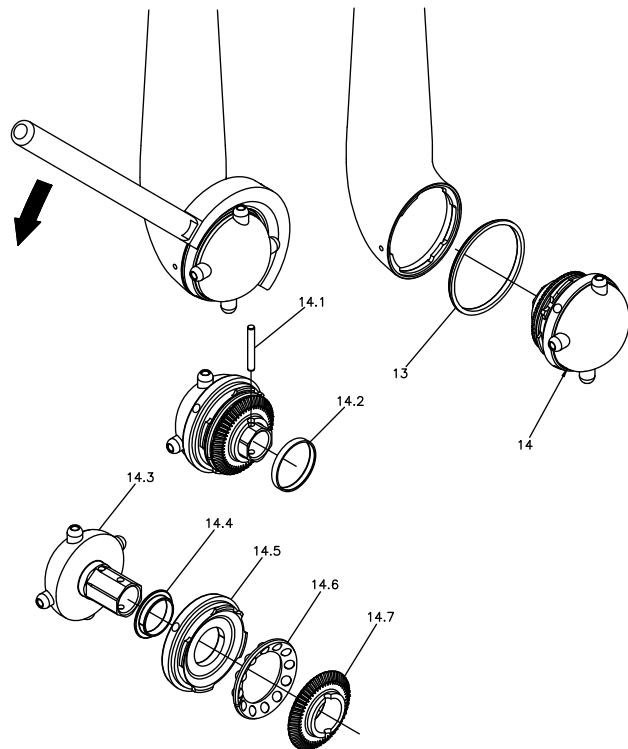
Exploded View Drawings

Toftejorg SaniJet 20A, Air Driven

Base unit



Cleaner unit



Reference List of Parts
Toftejorg SaniJet 20, Air Driven (EPDM as standard)

Pos.	Ref. no.	No/Unit	Description	Material	Remarks
1	TE51A146	3	Screw	Stainless steel	Spare part
9	<input type="checkbox"/> TE20B516	2	Gasket	Elastomer	Wear part
	<input type="checkbox"/> TE20B516-01	2	Gasket	Elastomer	Wear part
	<input type="checkbox"/> TE20C516	2	Gasket	Elastomer	Wear part
12	<input type="checkbox"/> TE20B309	1	Base unit, L = 350 mm	Assy	
	<input type="checkbox"/> TE20B300	1	Base unit, L = 500 mm	Assy	
	<input type="checkbox"/> TE20B301	1	Base unit, L = 700 mm	Assy	
	<input type="checkbox"/> TE20B302	1	Base unit, L = 1000 mm	Assy	
	<input type="checkbox"/> TE20B303	1	Base unit, L = 1200 mm	Assy	
	<input type="checkbox"/> TE20B304	1	Base unit, L = 1500 mm	Assy	
	<input type="checkbox"/> TE20B309-01	1	Base unit, L = 350 mm	Assy, Elastomer	
	<input type="checkbox"/> TE20B300-01	1	Base unit, L = 500 mm	Assy, Elastomer	
	<input type="checkbox"/> TE20B301-01	1	Base unit, L = 700 mm	Assy, Elastomer	
	<input type="checkbox"/> TE20B302-01	1	Base unit, L = 1000 mm	Assy, Elastomer	
	<input type="checkbox"/> TE20B303-01	1	Base unit, L = 1200 mm	Assy, Elastomer	
	<input type="checkbox"/> TE20B304-01	1	Base unit, L = 1500 mm	Assy, Elastomer	
12.1	TE51A172	3	Screw	Stainless steel	Spare part
12.2	TE20B594	1	Bracket	Stainless steel	Spare part
12.3	TE20B642	1	Plug	Stainless steel	Spare part
12.4	<input type="checkbox"/> TE51T127	1	O-ring	Elastomer	Wear part
	<input type="checkbox"/> TE51T008	1	O-ring	Elastomer	Wear part
	<input type="checkbox"/> TE51T129	1	O-ring	Elastomer	Wear part
12.5	TE20B500	1	Base housing	Stainless steel	Spare part
12.6	TE20B512	1	Retaining screw	Stainless steel	Spare part
12.7	<input type="checkbox"/> TE20B511	1	Plain seal	Elastomer	Wear part
	<input type="checkbox"/> TE20B511-01	1	Plain seal	Elastomer	Wear part
	<input type="checkbox"/> TE20C511	1	Plain seal	Elastomer	Wear part
12.8	<input type="checkbox"/> TE20B538	1	Inner shaft, L = 350 mm	Stainless steel	Spare part
	<input type="checkbox"/> TE20B532	1	Inner shaft, L = 500 mm	Stainless steel	Spare part
	<input type="checkbox"/> TE20B533	1	Inner shaft, L = 700 mm	Stainless steel	Spare part
	<input type="checkbox"/> TE20B534	1	Inner shaft, L = 1000 mm	Stainless steel	Spare part
	<input type="checkbox"/> TE20B535	1	Inner shaft, L = 1200 mm	Stainless steel	Spare part
	<input type="checkbox"/> TE20B536	1	Inner shaft, L = 1500 mm	Stainless steel	Spare part
12.9	TE20B510	1	Bearing ring	Polymer	Wear part
12.10	<input type="checkbox"/> TE20B310	1	Outer tube, L = 350 mm	Stainless steel	Spare part
	<input type="checkbox"/> TE20B311	1	Outer tube, L = 500 mm	Stainless steel	Spare part
	<input type="checkbox"/> TE20B312	1	Outer tube, L = 700 mm	Stainless steel	Spare part
	<input type="checkbox"/> TE20B313	1	Outer tube, L = 1000 mm	Stainless steel	Spare part
	<input type="checkbox"/> TE20B314	1	Outer tube, L = 1200 mm	Stainless steel	Spare part
	<input type="checkbox"/> TE20B315	1	Outer tube, L = 1500 mm	Stainless steel	Spare part
12.11	TE20B539	1	Ball race	Stainless steel	Wear part
12.12	TE20B364	1	Ball ring	Polymer/Stainless steel	Wear part
12.13	TE20B542	1	Bevel gear	Stainless steel	Wear part
12.14	TE20B513	1	Bearing bush	Polymer	Wear part
12.15	TE20B514	1	Bearing bush	Polymer	Wear part
13	<input type="checkbox"/> TE20B553	1	Seal ring H	Elastomer	Wear part
	<input type="checkbox"/> TE20B553-01	1	Seal ring H	Elastomer	Wear part
	<input type="checkbox"/> TE20C553	1	Seal ring H	Elastomer	Wear part

Configuration as delivered marked

Reference List of Parts
Toftejorg SaniJet 20, Air Driven (EPDM as standard)

Pos.	Ref. no.	No/ Unit	Description	Material	Remarks
14	<input type="checkbox"/> TE20B324	1	Cleaner unit, 2xø2.0mm	Assy	
	<input type="checkbox"/> TE20B325	1	Cleaner unit, 2xø3.8mm	Assy	
	<input type="checkbox"/> TE20B326	1	Cleaner unit, 4xø4.2mm	Assy	
14.1	TE51C003	1	Pin	Stainless steel	Spare part
14.2	TE20B571	1	Clip ring	Stainless steel	Spare part
14.3	<input type="checkbox"/> TE20B334	1	Cleaner head 2xø2.0mm	Stainless steel	Spare part
	<input type="checkbox"/> TE20B335	1	Cleaner head 2xø3.8mm	Stainless steel	Spare part
	<input type="checkbox"/> TE20B336	1	Cleaner head 4xø4.2mm	Stainless steel	Spare part
14.4	TE20B554	1	Bearing bush	Polymer	Wear part
14.5	TE20B552	1	Retaining ring	Stainless steel	Wear part
14.6	TE20B365	1	Ball ring N	Polymer/Stainless steel	Wear part
14.7	TE20B550	1	Bevel gear	Stainless steel	Wear part
20	TE20B347	1	Motor cover	Stainless steel	Spare part
21	TE51T125	1	O-ring	Elastomer	Spare part
24	TE51C052	1	Tubular rivet	Stainless steel	Spare part
25	TE20B343	1	Rotor inner w. magnets	Steel	Spare part
26	TE51A189	3	Screw	Stainless steel	Spare part
27	TE51U310	1	Metal cable gland, PG9	Brass, Nickel-pl.	Spare part
29	TE51A057	1	Screw	Stainless steel	Spare part
30	TE20B345	1	Motor flange welded A	Stainless steel	Spare part
31	TE20B340	1	Rotor outer complete	Stainless steel/steel	Spare part
32	TE20B351	1	Inlet housing 1" Tri-clamp	Stainless steel	Spare part
40	TE20B390	1	Air motor	Assy.	
41	TE51U305	230mm	Air tubing	PU	Spare part
42	TE51U388	1	Swivel push-in elbow	Brass, Nickel-pl.	Spare part
43	TE51U008	1	Flow regulator f. banjo fitting	Brass, Nickel-pl.	Spare part
44	TE51U384	1	Banjo fitting, push-in	Brass, Nickel-pl.	Spare part
45	(TE51U305)	0	Air tubing	PU - Customer Supply	Spare part
46	TE51A098	4	Screw	Stainless steel	Spare part
47	TE20B637	1	Connector flange	Stainless steel	Spare part
48	TE51A018	2	Pointed screw	Stainless steel	Spare part
49	TE20B636	1	Gear box 1:100 f. Air motor	Assy.	
50	TE20B633	1	Guide ring	Stainless steel	Spare part
51	TE20B631	1	Bush f. Rotor Air motor	Stainless steel	Spare part
52	TE51A504	3	Nut	Stainless steel	Spare part
53	TE20B634	1	Flange for gear	Stainless steel	Spare part
54	TE51A049	4	Screw	Stainless steel	Spare part
55	TE51U387	1	Straight connector, push-in	Brass, Nickel-pl.	Spare part
56	TE20B645	2	Seal ring	Polymer – black	Spare part
57	TE20B644	1	Adapter f. Silencer	Stainless steel	Spare part
58	TE51T041	1	O-ring	Elastomer	Spare part
59	(TE51U005)	1	Silencer incl. in Air motor		Spare part

Configuration as delivered marked

Reference List of Parts

Toftejorg SaniJet 20, Air Driven with improved surface finish (EPDM as standard)

Pos.	Ref. no.	No/ Unit	Description	Material	Remarks
1	TE51A146	3	Screw	Stainless steel	Spare part
9	<input type="checkbox"/> TE20B516	2	Gasket	Elastomer	Wear part
	<input type="checkbox"/> TE20B516-01	2	Gasket	Elastomer	Wear part
	<input type="checkbox"/> TE20C516	2	Gasket	Elastomer	Wear part
12	<input type="checkbox"/> TE20E309	1	Base unit, L = 350 mm	Assy	
	<input type="checkbox"/> TE20E300	1	Base unit, L = 500 mm	Assy	
	<input type="checkbox"/> TE20E301	1	Base unit, L = 700 mm	Assy	
	<input type="checkbox"/> TE20E302	1	Base unit, L = 1000 mm	Assy	
	<input type="checkbox"/> TE20E303	1	Base unit, L = 1200 mm	Assy	
	<input type="checkbox"/> TE20E304	1	Base unit, L = 1500 mm	Assy	
	<input type="checkbox"/> TE20E309-01	1	Base unit, L = 350 mm	Assy, Elastomer	
	<input type="checkbox"/> TE20E300-01	1	Base unit, L = 500 mm	Assy, Elastomer	
	<input type="checkbox"/> TE20E301-01	1	Base unit, L = 700 mm	Assy, Elastomer	
	<input type="checkbox"/> TE20E302-01	1	Base unit, L = 1000 mm	Assy, Elastomer	
	<input type="checkbox"/> TE20E303-01	1	Base unit, L = 1200 mm	Assy, Elastomer	
	<input type="checkbox"/> TE20E304-01	1	Base unit, L = 1500 mm	Assy, Elastomer	
	<input type="checkbox"/> TE20E309-04	1	Base unit, L = 350 mm	Assy, Elastomer	
	<input type="checkbox"/> TE20E300-04	1	Base unit, L = 500 mm	Assy, Elastomer	
	<input type="checkbox"/> TE20E301-04	1	Base unit, L = 700 mm	Assy, Elastomer	
	<input type="checkbox"/> TE20E302-04	1	Base unit, L = 1000 mm	Assy, Elastomer	
	<input type="checkbox"/> TE20E303-04	1	Base unit, L = 1200 mm	Assy, Elastomer	
	<input type="checkbox"/> TE20E304-04	1	Base unit, L = 1500 mm	Assy, Elastomer	
12.1	TE20E654	3	Screw	Stainless steel	Spare part
12.2	TE20E594	1	Bracket	Stainless steel	Spare part
12.3	TE20E642	1	Plug	Stainless steel	Spare part
12.4	<input type="checkbox"/> TE51T127	1	O-ring	Elastomer	Wear part
	<input type="checkbox"/> TE51T008	1	O-ring	Elastomer	Wear part
	<input type="checkbox"/> TE51T129	1	O-ring	Elastomer	Wear part
12.5	TE20E500	1	Base housing	Stainless steel	Spare part
12.6	TE20B512	1	Retaining screw	Stainless steel	Spare part
12.7	<input type="checkbox"/> TE20B511	1	Plain seal	Elastomer	Wear part
	<input type="checkbox"/> TE20B511-01	1	Plain seal	Elastomer	Wear part
	<input type="checkbox"/> TE20C511	1	Plain seal	Elastomer	Wear part
12.8	<input type="checkbox"/> TE20E538	1	Inner shaft, L = 350 mm	Stainless steel	Spare part
	<input type="checkbox"/> TE20E532	1	Inner shaft, L = 500 mm	Stainless steel	Spare part
	<input type="checkbox"/> TE20E533	1	Inner shaft, L = 700 mm	Stainless steel	Spare part
	<input type="checkbox"/> TE20E534	1	Inner shaft, L = 1000 mm	Stainless steel	Spare part
	<input type="checkbox"/> TE20E535	1	Inner shaft, L = 1200 mm	Stainless steel	Spare part
	<input type="checkbox"/> TE20E536	1	Inner shaft, L = 1500 mm	Stainless steel	Spare part
12.9	TE20B510	1	Bearing ring	Polymer	Wear part
12.10	<input type="checkbox"/> TE20E310	1	Outer tube, L = 350 mm	Stainless steel	Spare part
	<input type="checkbox"/> TE20E311	1	Outer tube, L = 500 mm	Stainless steel	Spare part
	<input type="checkbox"/> TE20E312	1	Outer tube, L = 700 mm	Stainless steel	Spare part
	<input type="checkbox"/> TE20E313	1	Outer tube, L = 1000 mm	Stainless steel	Spare part
	<input type="checkbox"/> TE20E314	1	Outer tube, L = 1200 mm	Stainless steel	Spare part
	<input type="checkbox"/> TE20E315	1	Outer tube, L = 1500 mm	Stainless steel	Spare part
12.11	TE20E539	1	Ball race	Stainless steel	Wear part
12.12	TE20B364	1	Ball ring	Polymer/Stainless steel	Wear part

Configuration as delivered marked

Reference List of Parts

Toftejorg SaniJet 20, Air Driven with improved surface finish (EPDM as standard)

Pos.	Ref. no.	No/ Unit	Description	Material	Remarks
12.13	TE20E542	1	Bevel gear	Stainless steel	Wear part
12.14	TE20B513	1	Bearing bush	Polymer	Wear part
12.15	TE20B514	1	Bearing bush	Polymer	Wear part
13	<input type="checkbox"/> TE20B553	1	Seal ring H	Elastomer	Wear part
	<input type="checkbox"/> TE20B553-01	1	Seal ring H	Elastomer	Wear part
	<input type="checkbox"/> TE20C553	1	Seal ring H	Elastomer	Wear part
14	<input type="checkbox"/> TE20E324	1	Cleaner unit, 2xø2.0mm	Assy	
	<input type="checkbox"/> TE20E325	1	Cleaner unit, 2xø3.8mm	Assy	
	<input type="checkbox"/> TE20E326	1	Cleaner unit, 4xø4.2mm	Assy	
14.1	TE20E572	1	Pin	Stainless steel	Spare part
14.2	TE20E571	1	Clip ring	Stainless steel	Spare part
14.3	<input type="checkbox"/> TE20E334	1	Cleaner head 2xø2.0mm	Stainless steel	Spare part
	<input type="checkbox"/> TE20E335	1	Cleaner head 2xø3.8mm	Stainless steel	Spare part
	<input type="checkbox"/> TE20E336	1	Cleaner head 4xø4.2mm	Stainless steel	Spare part
14.4	TE20B554	1	Bearing bush	Polymer	Wear part
14.5	TE20E552	1	Retaining ring	Stainless steel	Wear part
14.6	TE20B365	1	Ball ring N	Polymer/Stainless steel	Wear part
14.7	TE20E550	1	Bevel gear	Stainless steel	Wear part
20	TE20B347	1	Motor cover	Stainless steel	Spare part
21	TE51T125	1	O-ring	Elastomer	Spare part
24	TE51C052	1	Tubular rivet	Stainless steel	Spare part
25	TE20B343	1	Rotor inner w. magnets	Steel	Spare part
26	TE51A189	3	Screw	Stainless steel	Spare part
27	TE51U310	1	Metal cable gland, PG9	Brass, Nickel-pl.	Spare part
29	TE51A057	1	Screw	Stainless steel	Spare part
30	TE20B345	1	Motor flange welded A	Stainless steel	Spare part
31	TE20B340	1	Rotor outer complete	Stainless steel/steel	Spare part
32	TE20B351	1	Inlet housing 1" Tri-clamp	Stainless steel	Spare part
40	TE20B390	1	Air motor	Assy.	
41	TE51U305	230mm	Air tubing	PU	Spare part
42	TE51U388	1	Swivel push-in elbow	Brass, Nickel-pl.	Spare part
43	TE51U008	1	Flow regulator f. banjo fitting	Brass, Nickel-pl.	Spare part
44	TE51U384	1	Banjo fitting, push-in	Brass, Nickel-pl.	Spare part
45	(TE51U305)	0	Air tubing	PU - Customer Supply	Spare part
46	TE51A098	4	Screw	Stainless steel	Spare part
47	TE20B637	1	Connector flange	Stainless steel	Spare part
48	TE51A018	2	Pointed screw	Stainless steel	Spare part
49	TE20B636	1	Gear box 1:100 f. Air motor	Assy.	
50	TE20B633	1	Guide ring	Stainless steel	Spare part
51	TE20B631	1	Bush f. Rotor Air motor	Stainless steel	Spare part
52	TE51A504	3	Nut	Stainless steel	Spare part
53	TE20B634	1	Flange for gear	Stainless steel	Spare part
54	TE51A049	4	Screw	Stainless steel	Spare part
55	TE51U387	1	Straight connector, push-in	Brass, Nickel-pl.	Spare part
56	TE20B645	2	Seal ring	Polymer – black	Spare part
57	TE20B644	1	Adapter f. Silencer	Stainless steel	Spare part
58	TE51T041	1	O-ring	Elastomer	Spare part
59	(TE51U005)	1	Silencer incl. in Air motor		Spare part

Configuration as delivered marked

Reference List of Parts

Toftejorg SaniJet 20, Air Driven, Hastelloy Version (FFKM as standard)

Pos.	Ref. no.	No/ Unit	Description	Material	Remarks
1	TE51A146	3	Screw	Stainless steel	Spare part
9	TE20C516	2	Gasket	Elastomer	Wear part
12	<input type="checkbox"/> TE20C309	1	Base unit, L = 350 mm	Assy	
	<input type="checkbox"/> TE20C300	1	Base unit, L = 500 mm	Assy	
	<input type="checkbox"/> TE20C301	1	Base unit, L = 700 mm	Assy	
	<input type="checkbox"/> TE20C302	1	Base unit, L = 1000 mm	Assy	
	<input type="checkbox"/> TE20C303	1	Base unit, L = 1200 mm	Assy	
	<input type="checkbox"/> TE20C304	1	Base unit, L = 1500 mm	Assy	
12.1	TE51A172	3	Screw	Stainless steel	Spare part
12.2	TE20B594	1	Bracket	Stainless steel	Spare part
12.3	TE20C642	1	Plug	Alloy	Spare part
12.4	TE51T129	1	O-ring	Elastomer	Wear part
12.5	TE20C500	1	Base housing	Alloy	Spare part
12.6	TE20B512	1	Retaining screw	Stainless steel	Spare part
12.7	TE20C511	1	Plain seal	Elastomer	Wear part
12.8	<input type="checkbox"/> TE20C538	1	Inner shaft, L = 350 mm	Alloy	Spare part
	<input type="checkbox"/> TE20C532	1	Inner shaft, L = 500 mm	Alloy	Spare part
	<input type="checkbox"/> TE20C533	1	Inner shaft, L = 700 mm	Alloy	Spare part
	<input type="checkbox"/> TE20C534	1	Inner shaft, L = 1000 mm	Alloy	Spare part
	<input type="checkbox"/> TE20C535	1	Inner shaft, L = 1200 mm	Alloy	Spare part
	<input type="checkbox"/> TE20C536	1	Inner shaft, L = 1500 mm	Alloy	Spare part
12.9	TE20B510	1	Bearing ring	Polymer	Wear part
12.10	<input type="checkbox"/> TE20C310	1	Outer tube, L = 350 mm	Alloy	Spare part
	<input type="checkbox"/> TE20C311	1	Outer tube, L = 500 mm	Alloy	Spare part
	<input type="checkbox"/> TE20C312	1	Outer tube, L = 700 mm	Alloy	Spare part
	<input type="checkbox"/> TE20C313	1	Outer tube, L = 1000 mm	Alloy	Spare part
	<input type="checkbox"/> TE20C314	1	Outer tube, L = 1200 mm	Alloy	Spare part
	<input type="checkbox"/> TE20C315	1	Outer tube, L = 1500 mm	Alloy	Spare part
12.11	TE20C539	1	Ball race	Alloy	Wear part
12.12	TE20C360	1	Ball ring	Polymer/alloy	Wear part
12.13	TE20C542	1	Bevel gear	Alloy	Wear part
12.14	TE20B513	1	Bearing bush	Polymer	Spare part
12.15	TE20B514	1	Bearing bush	Polymer	Wear part
13	TE20C553	1	Seal ring H	Elastomer	Wear part
14	<input type="checkbox"/> TE20C324	1	Cleaner unit, 2xø2.0mm	Assy	
	<input type="checkbox"/> TE20C325	1	Cleaner unit, 2xø3.8mm	Assy	
	<input type="checkbox"/> TE20C326	1	Cleaner unit, 4xø4.2mm	Assy	
14.1	TE20C655	1	Pin	Alloy	Spare part
14.2	TE20C571	1	Clip ring	Alloy	Spare part
14.3	<input type="checkbox"/> TE20C334	1	Cleaner head 2xø2.0mm	Alloy	Spare part
	<input type="checkbox"/> TE20C335	1	Cleaner head 2xø3.8mm	Alloy	Spare part
	<input type="checkbox"/> TE20C336	1	Cleaner head 4xø4.2mm	Alloy	Spare part
14.4	TE20B554	1	Bearing bush	Polymer	Wear part
14.5	TE20C552	1	Retaining ring	Alloy	Wear part
14.6	TE20C361	1	Ball ring N	Polymer/Alloy	Wear part
14.7	TE20C550	1	Bevel gear	Alloy	Wear part
20	TE20B347	1	Motor cover	Stainless steel	Spare part
21	TE51T125	1	O-ring	Elastomer	Spare part

Reference List of Parts

Toftejorg SaniJet 20, Air Driven, Hastelloy Version (FFKM as standard)

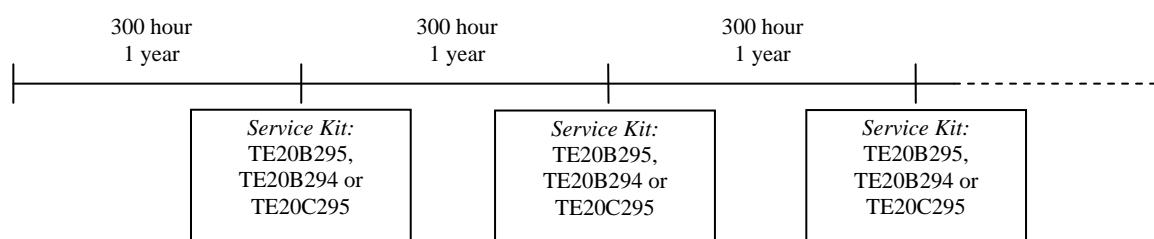
Pos.	Ref. no.	No/ Unit	Description	Material	Remarks
24	TE51C052	1	Tubular rivet	Stainless steel	Spare part
25	TE20B343	1	Rotor inner w. magnets	Steel	Spare part
26	TE51A189	3	Screw	Stainless steel	Spare part
27	TE51U310	1	Metal cable gland, PG9	Brass, Nickel-pl.	Spare part
29	TE51A057	1	Screw	Stainless steel	Spare part
30	TE20C345	1	Motor flange	Alloy	Spare part
31	TE20C340	1	Rotor outer		Spare part
32	TE20C351	1	Inlet housing 1" Tri-clamp	Alloy	Spare part
40	TE20B390	1	Air motor	Assy.	
41	TE51U305	230mm	Air tubing	PU	Spare part
42	TE51U388	1	Swivel push-in elbow	Brass, Nickel-pl.	Spare part
43	TE51U008	1	Flow regulator f. banjo fitting	Brass, Nickel-pl.	Spare part
44	TE51U384	1	Banjo fitting, push-in	Brass, Nickel-pl.	Spare part
46	TE51A098	4	Screw	Stainless steel	Spare part
47	TE20B637	1	Connector flange	Stainless steel	Spare part
48	TE51A018	2	Pointed screw	Stainless steel	Spare part
49	TE20B636	1	Gear box 1:100 f. Air motor	Assy.	
50	TE20B633	1	Guide ring	Stainless steel	Spare part
51	TE20B631	1	Bush f. Rotor Air motor	Stainless steel	Spare part
52	TE51A504	3	Nut	Stainless steel	Spare part
53	TE20B634	1	Flange for gear	Stainless steel	Spare part
54	TE51A049	4	Screw	Stainless steel	Spare part
55	TE51U387	1	Straight connector, push-in	Brass, Nickel-pl.	Spare part
56	TE20B645	2	Seal ring	Polymer – black	Spare part
57	TE20B644	1	Adapter f. Silencer	Stainless steel	Spare part
58	TE51T041	1	O-ring	Elastomer	Spare part
59	(TE51U005)	1	Silencer incl. in Air motor		Spare part

Configuration as delivered marked

Available add-on's for spare parts

Item no.	Description
TE20XXXX-90	<ul style="list-style-type: none"> • Declaration of Compliance: <ul style="list-style-type: none"> - EN 10204 type 3.1 inspection Certificate - FDA Declaration of Compliance - USP Class VI (if possible) - TSE Declaration
TE20XXXX-91 For FPM seals only	<ul style="list-style-type: none"> • Declaration of Compliance: <ul style="list-style-type: none"> - EN 10204 type 3.1 inspection Certificate - FDA Declaration of Compliance - USP Class VI (if possible) - TSE Declaration
TE20XXXX-50 Inner shaft pos no. 12.8 and Outer pipe pos no. 12.10 only	<ul style="list-style-type: none"> • Declaration of Compliance: <ul style="list-style-type: none"> - EN 10204 type 3.1 inspection Certificate - FDA Declaration of Compliance - USP Class VI (if possible) - TSE Declaration • Weld-Log documentation (if necessary) as hardcopy

Service Intervals



Service Kit in **EPDM** for Toftejorg SaniJet 20 motor driven version (electrical/air)

Article no. TE20B295

Reference no.	No.	Description	Pos. no.
TE20B510	1	Bearing ring, top	12.9
TE20B513	1	Bearing bush D1	12.14
TE20B514	1	Bearing bush D2	12.15
TE20B511	1	Plain seal S	12.7
TE20B516	2	Gasket D	9
TE20B553	1	Seal ring H	13
TE51T127	1	O-ring	12.4

Service Kit in **Viton** for Toftejorg SaniJet 20 motor driven version (electrical/air)

Article no. TE20B294

Reference no.	No.	Description	Pos. no.
TE20B510	1	Bearing ring, top	12.9
TE20B513	1	Bearing bush D1	12.14
TE20B514	1	Bearing bush D2	12.15
TE20B511-01	1	Plain seal S	12.7
TE20B516-01	2	Gasket D	9
TE20B553-01	1	Seal ring H	13
TE51T008	1	O-ring	12.4

Service Kit in **Perlast** for Toftejorg SaniJet 20 motor driven version (electrical/air)

Article no. TE20C295

Reference no.	No.	Description	Pos. no.
TE20B510	1	Bearing ring, top	12.9
TE20B513	1	Bearing bush D1	12.14
TE20B514	1	Bearing bush D2	12.15
TE20C511	1	Plain seal S	12.7
TE20C516	2	Gasket D	9
TE20C553	1	Seal ring H	13
TE51T129	1	O-ring	12.4

Tools

Reference no.	Description
TE462A	Socket Wrench w. pin
TE20B701	Hook spanner

How to contact Alfa Laval
Contact details for all countries are
continually updated on our website.
Please visit www.alfalaval.com to
access the information direct.